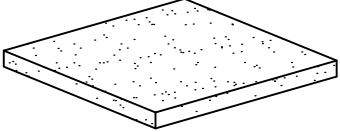
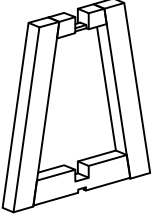
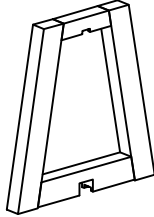
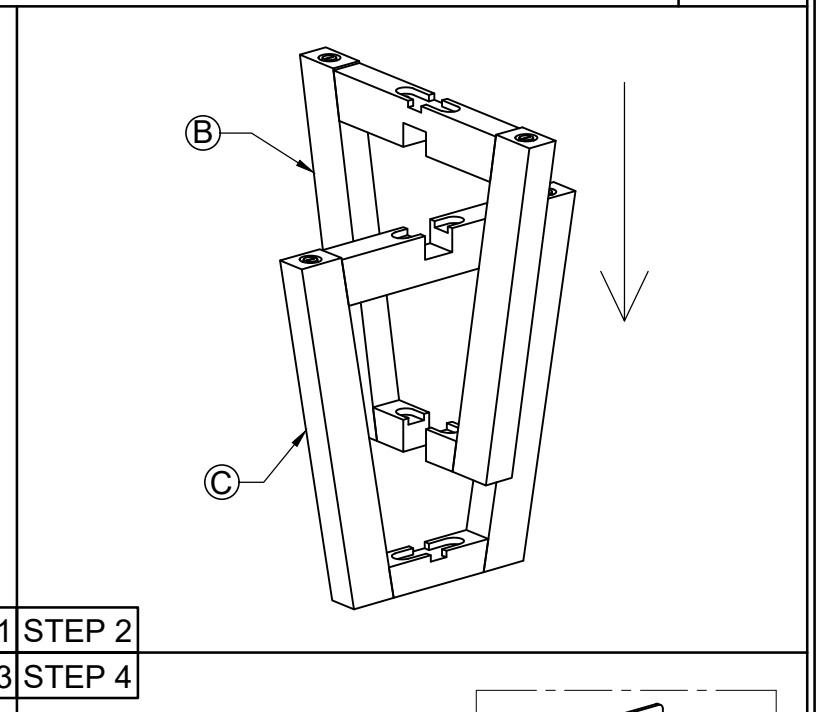
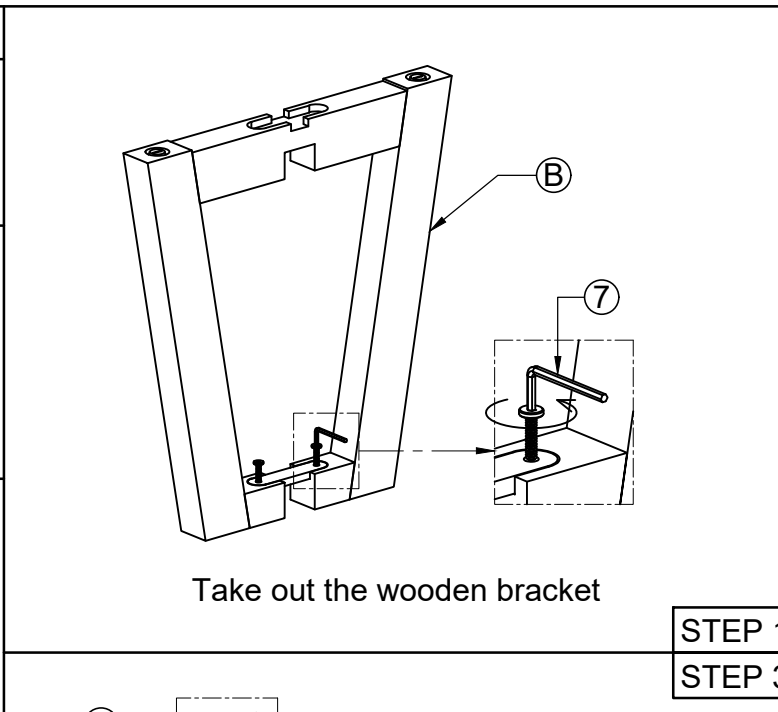
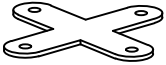





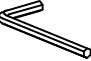


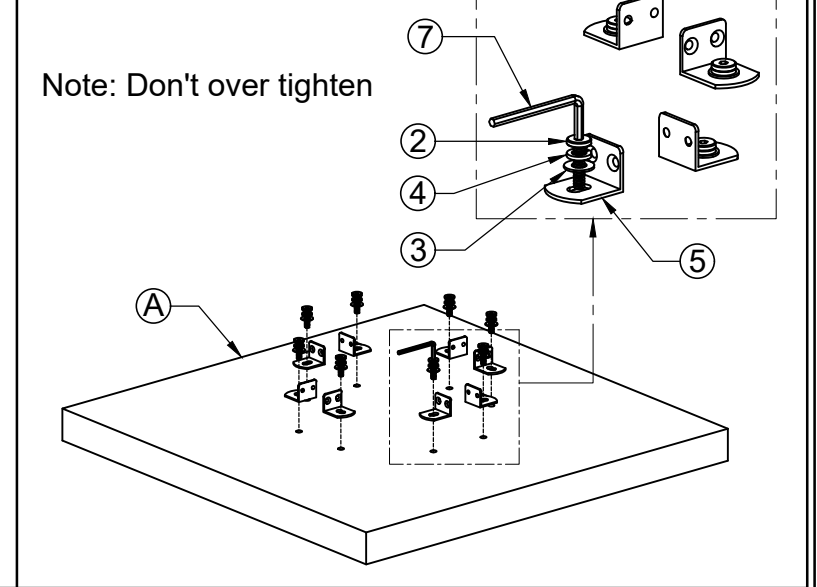
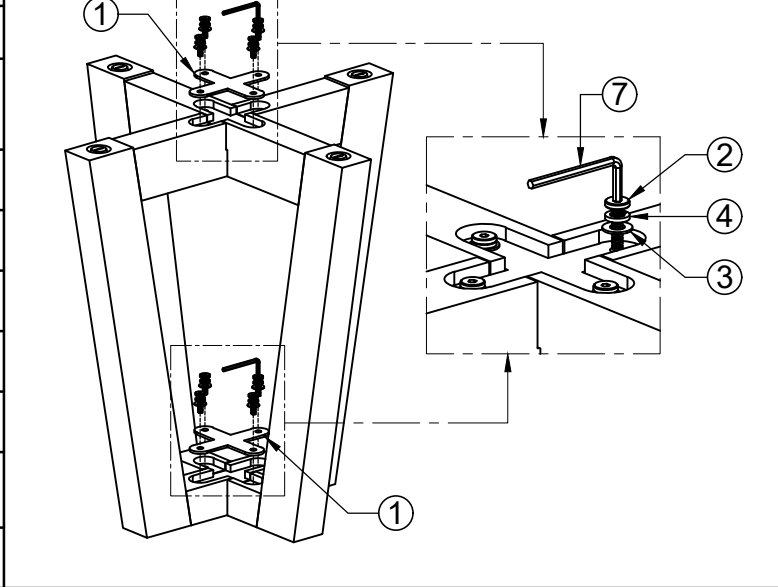
# ASSEMBLY INSTRUCTION LAMP TABLE

No	Name of Component	Q.ty
(A)		1
(B)		1
(C)		1

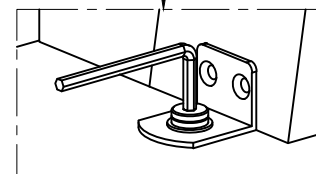
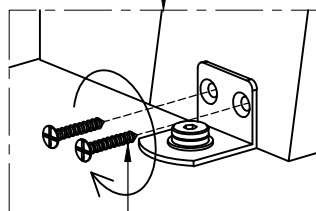
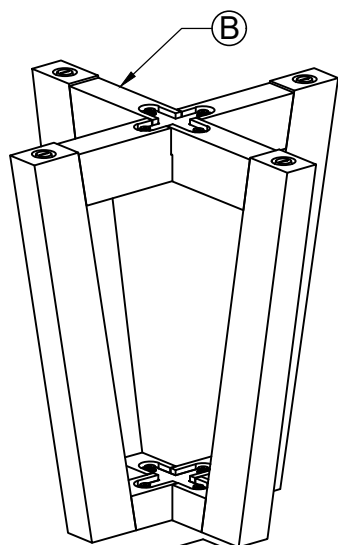
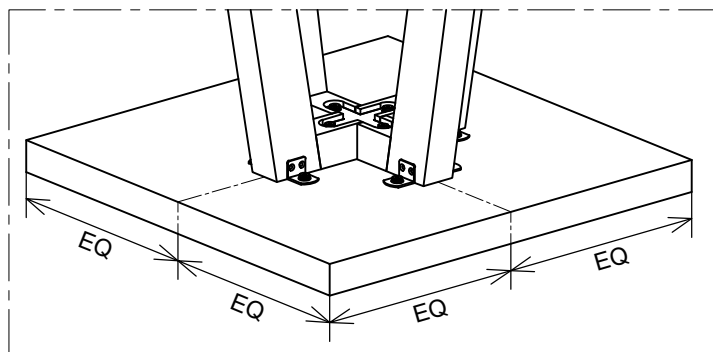


STEP 1	STEP 2
STEP 3	STEP 4

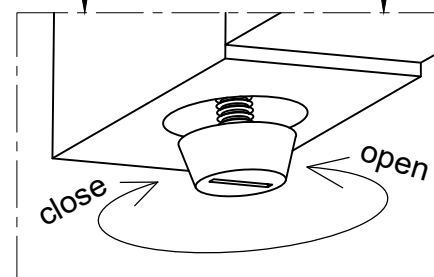
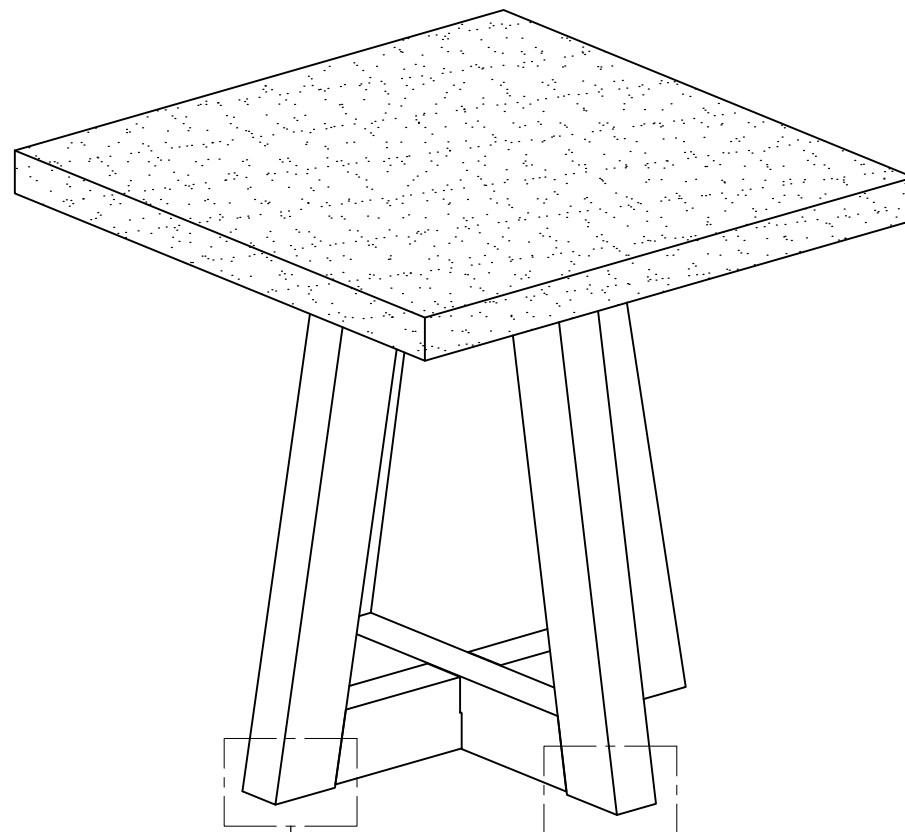
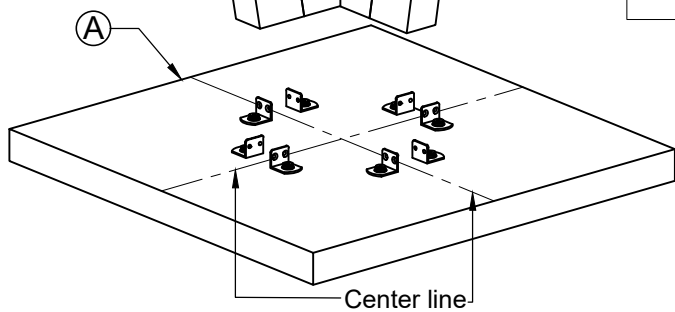
No	Name of Hardware	Q.ty
(1)	X Bracket 	2
(2)	Bolt M6x20 	16
(3)	Washer M6 	16
(4)	Spring washer M6 	16
(5)	L Bracket 	8
(6)	Screw Ø4x20 	16
(7)	Allen key K4 	1



# ASSEMBLY INSTRUCTION LAMP TABLE



Twist tightly



STEP 5 FINAL