

Assembly Instruction for

COFFEE TABLE

CTBY100CTT&CTBY800CTB/
CTBY800CTT&CTBY800CTB

Caution: Please read instructions thoroughly before unpacking assembly parts. Sharp, exposed staple tips can cause injury, therefore, for your protection, please remove any exposed staples used in packing.

1. We recommend that you should assemble this product with the assistance of another person; this will make assembly easier, and will help to eliminate damage the product or injury to persons during assembly.
2. Be sure to check all packing materials carefully for small parts that may have come loose inside the carton during shipment.
3. Please do not over tighten screws or bolts.
4. Please put all parts on a non-abrasive floor before assembly, and follow the assembly steps to assemble your newly purchased product correctly and efficiently.

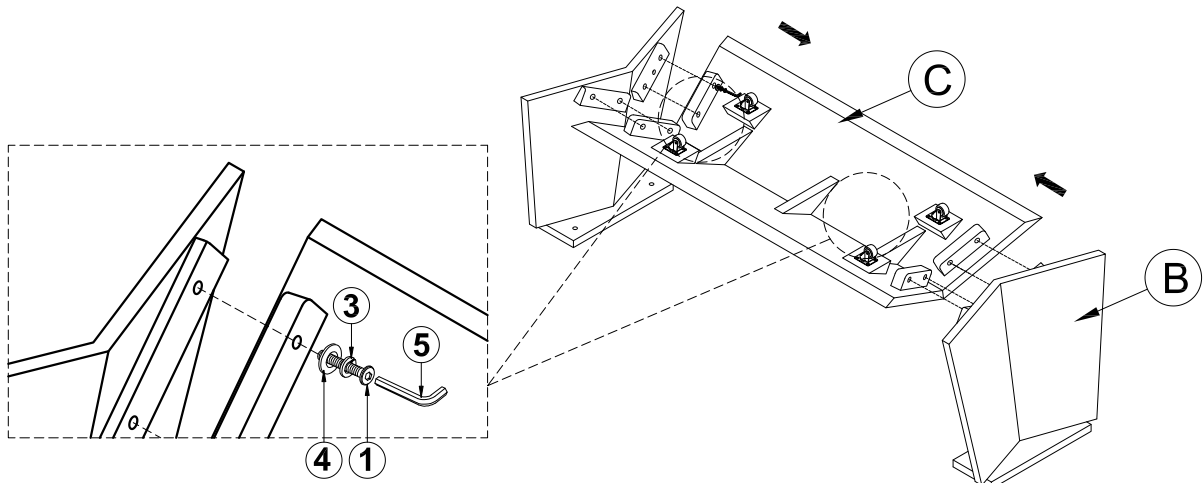
PART LIST

NO.	PART DESC	CODE	Q'TY
A	COUNTER TABLE - MARBLE TABLE TOP		1
B	COUNTER TABLE - TABLE LEG	PCTBY800CTBLEG	2
C	COUNTER TABLE - TABLE CONNECTOR	PCTBY800CTBBASE	1

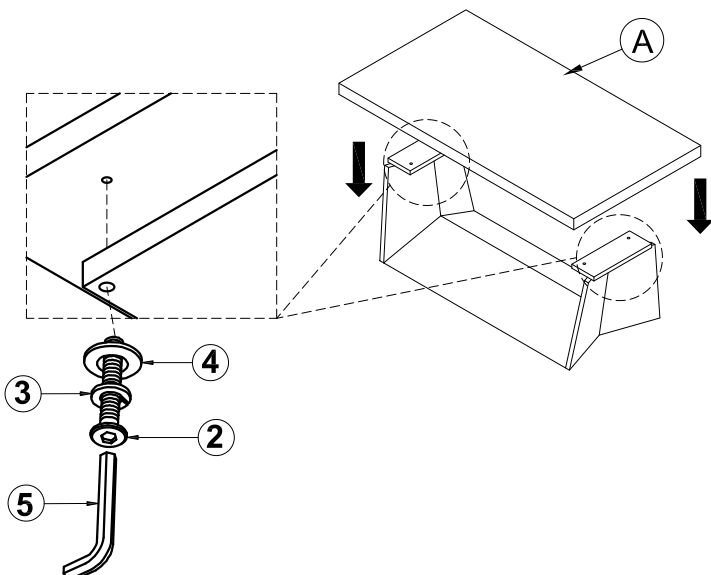
HARDWARE LIST

NO.	HARDWARE DESC	CODE	Q'TY
1	BOLT 5/16"x45mm	PCTBY800CTBHW	8
2	BOLT 5/16"x38mm		4
3	LOCK WASHER 5/16"		12
4	FLAT WASHER 5/16"		12
5	ALLEN KEY M5		1

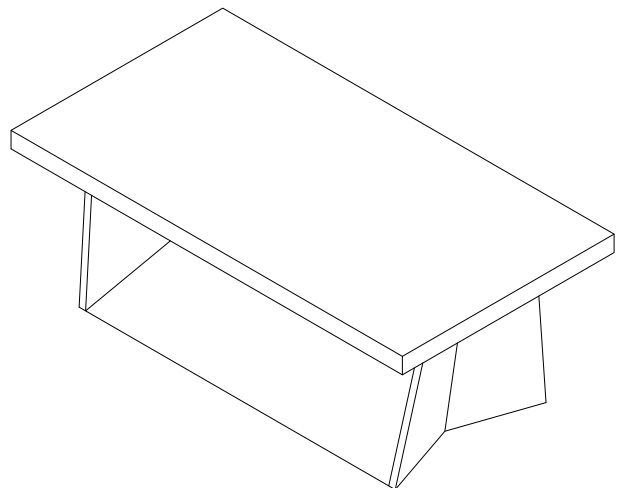
STEP 1



STEP 2



COMPLETED



MADE IN VIETNAM